

# State of Wyoming Corner Record

(In compliance with the *CORNER PERPETUATION AND FILING ACT*, Wyoming Statutes, 1997 Section 33-29-140 et. seq., and the Rules and Regulations of the Board of Professional Engineers and Professional Land Surveyors)

Reverse side of this form may be used if more space is needed.

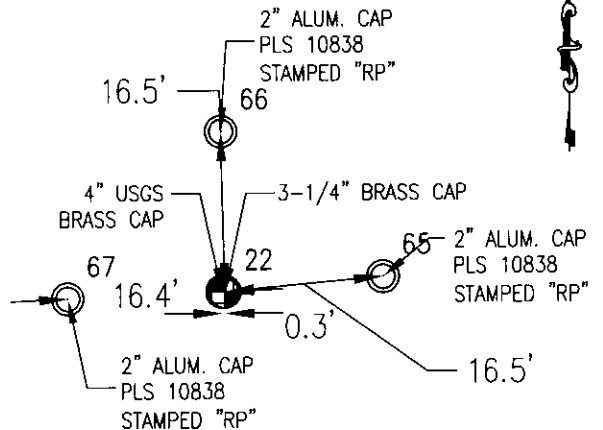
Record of original survey and citation of source of historical information (if corner is lost or obliterated). Description of corner monumentation evidence found and/or monument and accessories established to perpetuate the location of this corner. Sketch of relative location of monument, accessories, and reference points with course and distance to adjacent corner(s) (if determined in this survey). Method and rationale for reestablishment of lost or obliterated corner.

**FOUND:** FOUND ORIGINAL GLO 3-1/4" BRASS CAP ON 3" PIPE AND USGS BM 4" BRASS CAP ON 4" PIPE

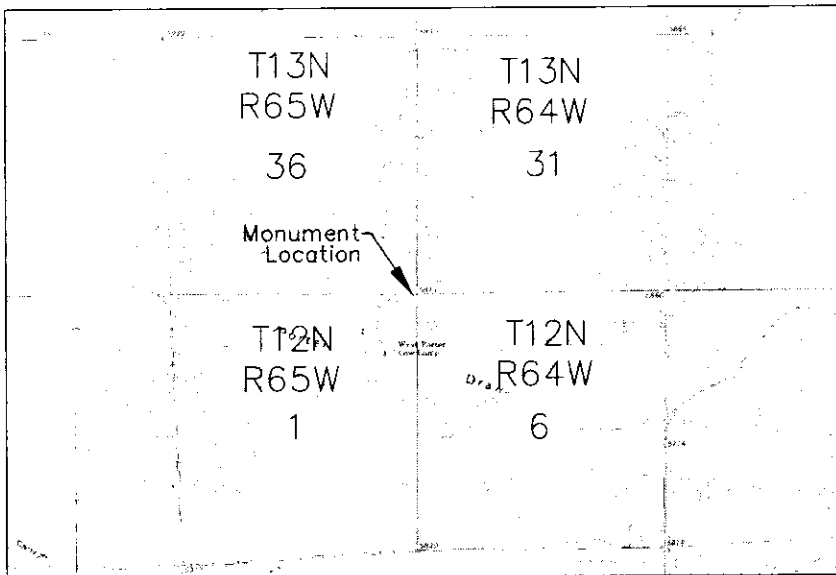
**SET:** NOTHING

**HISTORY:** THE ORIGINAL SURVEY OF THE TOWNSHIP LINES WAS PERFORMED IN 1867 BY WILLIAM ASHLEY, STONES WERE SET AS MONUMENTS. A RETRACTION OF THE ORIGINAL SURVEY OF THE TOWNSHIP LINES WAS PERFORMED IN 1911-1912 BY EDWIN VAN ANTWERP, AND BRASS CAPS WERE SET AS MONUMENTS, AS SHOWN HEREON. THE PLATS AND ORIGINAL FIELD NOTES OF BOTH SURVEYS WERE OBTAINED FROM THE BLM.

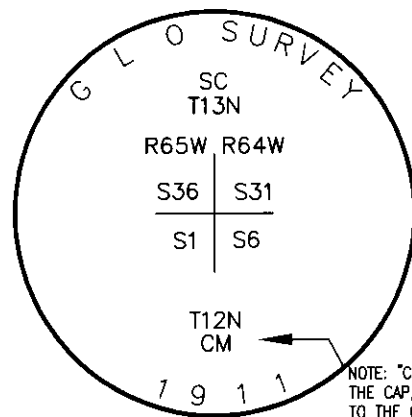
**TIES:** S89°58'02"W, 10357.40' TO THE STANDARD CORNER AT THE SOUTHWEST CORNER SECTION 35, T13N, R65W, A 2 1/2" ALUMINUM CAP PLS 2500, MARKED APPROPRIATELY.



**Location Sketch**  
1" = 20'



**Monument location**



NOTE: "CM" IS STAMPED ON THE CAP, BUT ACCORDING TO THE ORIGINAL NOTES FROM 1911 IT SHOULD SAY "CC"

**Monument Inscription**

Date of Field Work: 7/11/07

Office Reference: 2730

## Cross Index Plat

1	2	3	4	5	6	7	8	9	10	11	12	13	14	15	16	17	18	19	20	21	22	23	24	25
A	+	+	+	+	+	+	+	+	+	+	+	+	+	+	+	+	+	+	+	+	+	+	+	+
B	+	+	+	+	+	+	+	+	+	+	+	+	+	+	+	+	+	+	+	+	+	+	+	+
C	+	6	+	5	+	4	+	3	+	2	+	1	+	+	+	+	+	+	+	+	+	+	+	
D	+	+	+	+	+	+	+	+	+	+	+	+	+	+	+	+	+	+	+	+	+	+	+	+
E	+	+	+	+	+	+	+	+	+	+	+	+	+	+	+	+	+	+	+	+	+	+	+	+
F	+	+	+	+	+	+	+	+	+	+	+	+	+	+	+	+	+	+	+	+	+	+	+	+
G	+	7	+	8	+	9	+	10	+	11	+	12	+	+	+	+	+	+	+	+	+	+	+	+
H	+	+	+	+	+	+	+	+	+	+	+	+	+	+	+	+	+	+	+	+	+	+	+	+
J	+	+	+	+	+	+	+	+	+	+	+	+	+	+	+	+	+	+	+	+	+	+	+	+
K	+	+	+	+	+	+	+	+	+	+	+	+	+	+	+	+	+	+	+	+	+	+	+	+
L	+	18	+	17	+	16	+	15	+	14	+	13	+	+	+	+	+	+	+	+	+	+	+	+
M	+	+	+	+	+	+	+	+	+	+	+	+	+	+	+	+	+	+	+	+	+	+	+	+
N	+	+	+	+	+	+	+	+	+	+	+	+	+	+	+	+	+	+	+	+	+	+	+	+
O	+	+	+	+	+	+	+	+	+	+	+	+	+	+	+	+	+	+	+	+	+	+	+	+
P	+	19	+	20	+	21	+	22	+	23	+	24	+	+	+	+	+	+	+	+	+	+	+	+
Q	+	+	+	+	+	+	+	+	+	+	+	+	+	+	+	+	+	+	+	+	+	+	+	+
R	+	+	+	+	+	+	+	+	+	+	+	+	+	+	+	+	+	+	+	+	+	+	+	+
S	+	+	+	+	+	+	+	+	+	+	+	+	+	+	+	+	+	+	+	+	+	+	+	+
T	+	30	+	29	+	28	+	27	+	26	+	25	+	+	+	+	+	+	+	+	+	+	+	+
U	+	+	+	+	+	+	+	+	+	+	+	+	+	+	+	+	+	+	+	+	+	+	+	+
V	+	+	+	+	+	+	+	+	+	+	+	+	+	+	+	+	+	+	+	+	+	+	+	+
W	+	+	+	+	+	+	+	+	+	+	+	+	+	+	+	+	+	+	+	+	+	+	+	+
X	+	31	+	32	+	33	+	34	+	35	+	36	+	+	+	+	+	+	+	+	+	+	+	+
Y	+	+	+	+	+	+	+	+	+	+	+	+	+	+	+	+	+	+	+	+	+	+	+	+
Z	+	+	+	+	+	+	+	+	+	+	+	+	+	+	+	+	+	+	+	+	+	+	+	+
1	2	3	4	5	6	7	8	9	10	11	12	13	14	15	16	17	18	19	20	21	22	23	24	25

Firm/Agency, Address

AVI P.C.  
2035 WESTLAND RD.  
CHEYENNE, WY. 82001

Telephone Number: 307-637-6017

This corner record was prepared by me or under my direction and supervision.

SEAL & SIGNATURE



RECORDED 11/21/2007 AT 10:32 AM REC# 488225 JK# 2034 PG# 1035  
DEBRA K. LATHROP, CLERK OF LARAMIE COUNTY, WY PAGE 1 OF 1

Corner Name Township Corner Section NE CORNER 1 T 12 N, R 65 W, 6th P.M.

Cross-Index No.: A-25

County: Laramie Wyoming

SBRPEPLS/PLSW: March 1994; PLSW January 1998